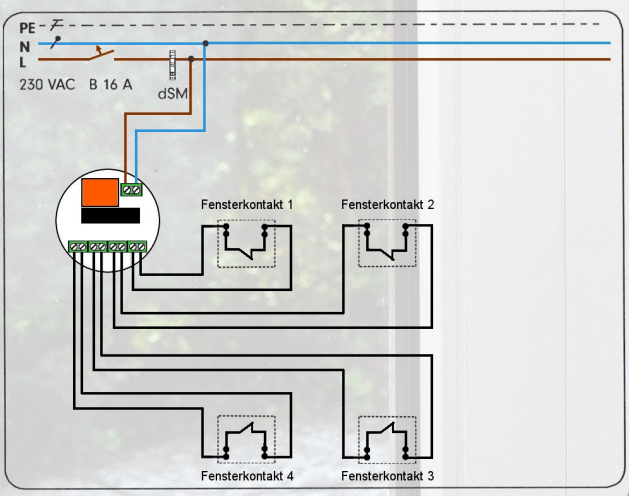




window contact

terminals	input
1	Out Line 1
2	In Line 1
3	Out Line 2
4	In Line 2
5	Out Line 3
6	In Line 3
7	Out Line 4
8	In Line 4

display	on assemblies
1	LED 1 - 4
2	LED AKM 200



Nr. 3006.1911.90.0001EN

digitalSTROM dS Alarm 400



door- / window- monitoring

IC Industrielle
Computerertechnik GmbH



Konkordiastr. 11
40219 Düsseldorf
Telefon: 0211/9011680
Telefax: 0211/396569

www.isenbuegel.net



We are digitalSTROM Allianz Partner

article No.: 3006.1911.90.0001

GTIN: 4260385589002



Short profile:

The "DS alarm 400 " module is designed for the conversion of up to four low voltage signals to the digital flow system. With it, for example, 4 window contacts (floating) can be monitored by wire. Corresbonding the closed-circuit principle , each of the four lines is supplied with 12 volts and it flows a quiescent current of 9 mA .The 12 volts DC line voltage is generated in the module itself.Installation is in a flush box.The integrated modular technology of AKM200 terminal translates the four lines in the system digitalSTROM.Thus, for example, every window contact can be granted to a precise local allocation be granted

If, for example, the command " go " in the current system accessed digitally, it is check via a link at the dS Scene responders,whether the windows, connected via the DS 400 alarm module are closed.If this is not the case, an activated flashing from e.g. Residential Lighting is noted.It is also possible to trigger an alarm and send as e-mail when a window is opened without permission.

Additional security applications are the integration of floating contacts of motion, the alarm from the DS 400 module are integrated into the system dS.

Each of the four lines is provided in the module with a self -resettable fuse. For the service and start each line is equipped with a LED that lights up in the quiescent current. (Window closed)

Mail Server

Configuration of the server settings for outgoing e-mails.
The mail server can be used by digitalSTROM-Apps to send e-mails.

E-Mail Address:

Mail Server Name:

Outgoing mail server requires authentication

User:

Password:

Use Secure-SMTP (Port 465)

Use secure data transmission (TLS)

Verify server certificate

Montage:

It is mounted in the wallbox. After connecting and turning on the power supply, the module automatically logs on digitalSTROM meters in power distribution to (for each of the four lines own dSID).

It is recommended to operate per digitalSTROM meter no more than 20 Automation connector block- (inputs).

Modes:

The mode can be changed by means of the installation software digitalSTROM server. Per line a maximum of 10 Events per 5 minutes is sent

Function assignment upon delivery:

- Input 1.....window contact / standard
- Input 2.....window contact / standard
- Input 3.....window contact / standard
- Input 4.....window contact / standard

digitalSTROM Configurator

Name	ID	Input Mode	Input	Meter Name	Room Name
dS Alarm 400 window 4	000c069b	Window contact	Line 4, standard	K11	livingroom
dS Alarm 400 window 3	000c069a	Window contact	Line 3, standard	K11	livingroom
dS Alarm 400 window 2	000c0699	Window contact	Line 2, standard	K11	livingroom
dS Alarm 400 window 1	000c0698	Window contact	Line 1, standard	K11	livingroom

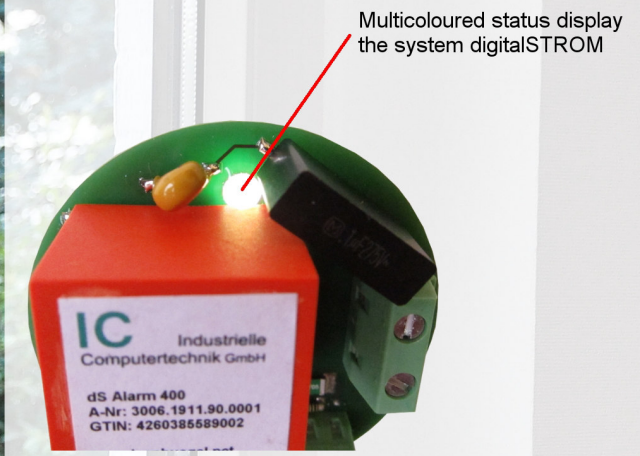
Operation:

Each input operates independently. Each input can be individually configured in the digitalSTROM Color Logic: yellow, gray, blue, cyan, magenta or black.

Status display AKM 200 (LED):

The LED lights up brightly when at least one sensor status " 1". Otherwise, it will light dark (operational control).If the state of the sensors change, the LED will flash briefly. Caution Observe inversion upon delivery.

digitalSTROM® is a registered trademark of Digitalstrom AG



Fault Conditions:

1 x flash – 1 x break overtemperature (Key function is disabled, and is automatically restored after cooling)

Registration:

While logging on to a digitalSTROM system the LED flashes quickly. The status LED takes on the color of the device group recently operated input. After 30 seconds of inactivity, LED automatically resets to the color of the 1st input.

Technical specifications:

- Rated input voltage / frequency 230 V AC/50 Hz
- Power consumption..... ca. 0,6 W
- Specifications Inputs.....galvanically isolated
- Voltage input lines.....12 V DC, 9 mA
- Externally connected contacts.....floating
- Connecting terminal.....max. 1,5mm²
- dimension.....Ø 52 x 26mm
- Protection class(dry rooms) IP20 EN 60529
- Permissible ambient temperature (operation)..... -20 ° C ... +40 °C
- Permissible ambient humidity (operation) < 80% rF not condensing
- data transmission via 230 V AC network digitalSTROM-protocol V1.0

Text Source: Excerpts from Digitalstrom AG