

Nr.:3006.1911.36.0001

digitalSTROM IC LED-Driver X



IC Industrielle
Computertechnik GmbH

Konkordiastr. 11
D-40219 Düsseldorf
Telefon: +49 211 9011680

www.lsenbuegel.shop
www.lsenbuegel.net

info@lsenbuegel.net



We are digitalSTROM alliance partners

suitable for Ikea spotlights

article no.: 3006.1911.36.0001

GTIN: 4260385583604



Function and purpose:

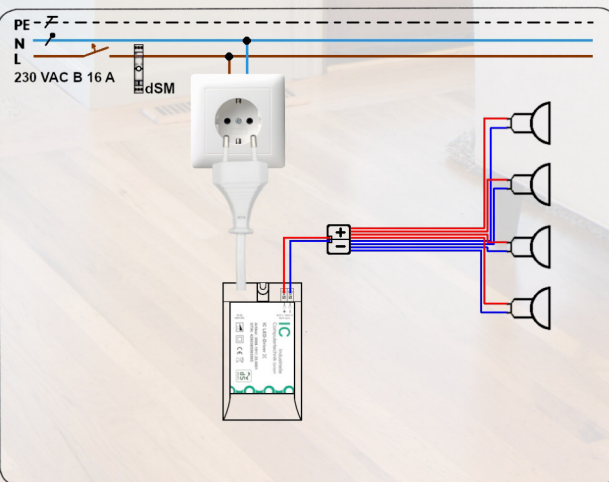
The "IC LED Driver X" was developed for the simple, space-saving and energy-efficient operation of LED spots in the digitalSTROM system. Thanks to the integrated dS 300 technology, the product has excellent dimming properties for connected single-color LED spots. Dimming is done by reducing the current. This means that there is no high-frequency flickering, as is usual with pulse-width modulation. The dS ready product is ready to plug in with a 2-meter Euro cable and can be used immediately according to the Plug&Play principle. A cap is provided to cover the connection area.

In this flyer, the connection of the LED spots of the Ikea "MITTLED" version 2.2W with the 6-way distributor "ANSLUTA" is described as an example.

Attention:

This type of spot must be operated with at least 4-6 pieces on the "IC LED Driver X" due to the current limitation.

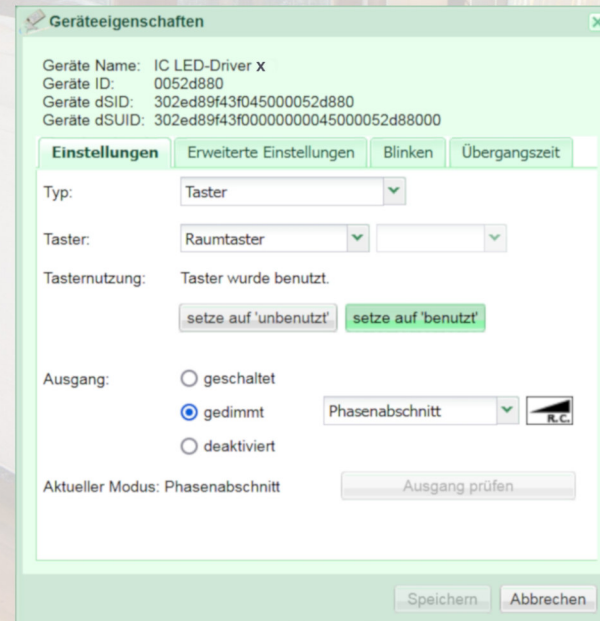
If the technical values of the LED Driver X are adhered to, other commercially available 24 volt DC LED spots can also be used.



MITTLED: Installation as a surface or recessed spotlight



ANSLUTA: distributor for 6 pluggable spots



digitalSTROM® is a registered trademark of Digitalstrom

View in the digitalSTROM Configurator

Apps						
Apps	Aktivitäten	Räume	Gruppen	System	Hardware	Hilfe
Meter & Controller						
Status	Name	ID	Anza...	Neue Geräte S...	Leistung	
●	Isenbügel Testumgebung 300	000015b4	71	deaktiviert	3	
Geräte						
Name	ID	Ausgang	Eingangs Modus			
IC LED-Driver x	0052d880	gedimmt	Stimmung 0-4			

Technical specifications

Ballast IC LED Driver X:

Connecting cable 1.8 meter white Euro plug
 Maximum rated power output < 17W / 0.35 A
 Connection terminals..... max.1mm²
 Dimensions l x w x h 93 x 53 x 30 mm
 Nominal input voltage/ frequency... 230 V AC/50 Hz
 Power consumption <2 W
 Degree of protection (dry rooms) ... IP20 EN 60529
 Permissible ambient temperature (operation)
 -5 °C +40 °C

Permissible ambient humidity (operation)
 < 80% RH, non-condensing

Data transmission via 230 V AC network
 digitalSTROM protocol V1.0

LED spot example MIDLED 2.2W:

Diameter..... 83mm
 Height 11mm
 Power supply approx. 24 volts DC
 Performance approx. 2.2W
 Kelvin about 2700K
 Color rendering >90 RA
 Lumens about 160 LM

The module saves the status of the output as soon as it has not changed for at least 5 seconds. After a power failure, the saved state is restored at the output.

RoHS

